

Recycling Made Simple.

# GP20

SHREDDER HYBRID

Atoomweg 478  
3542 AB, Utrecht  
The Netherlands

+31 (0) 85 876 9016

**3devo**

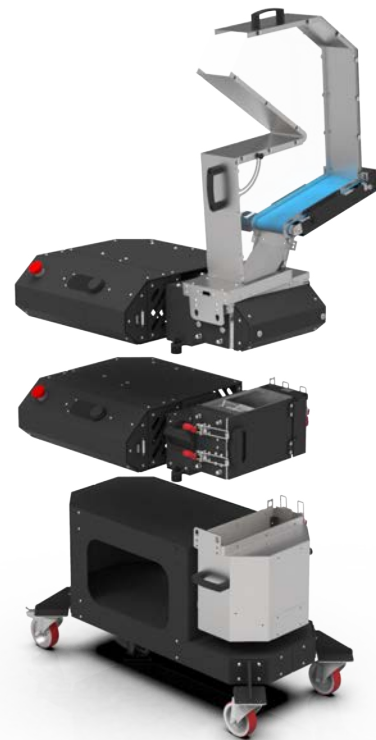
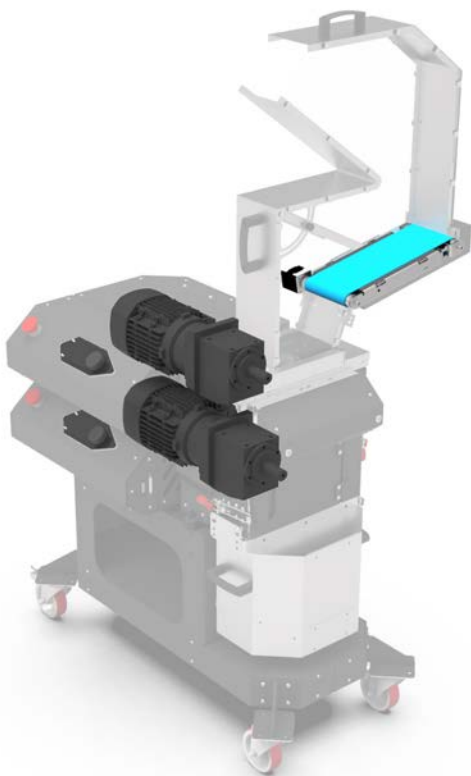
# GP20 SHREDDER SERIES

FREEDOM - FLEXIBILITY – FUNCTIONALITY

*Introducing the most innovative autonomous plastic shredder. A modular dual-part system with an intelligent interactive display allows you to tailor material settings for best shredding performance. As a result, the GP20 is a total powerhouse - both powerful and precise.*

## MODULAR DESIGN

An all-new modular design that allows you to personalize your set-up to focus on what you really need. The functionality of the GP20 Shredder Hybrid gives you the freedom and flexibility to fit it into any project within any industry.



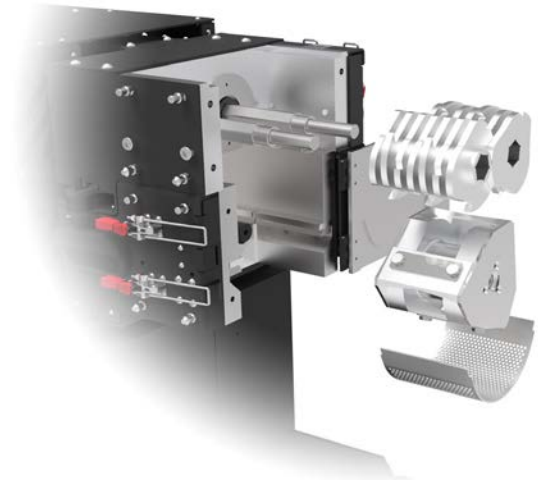
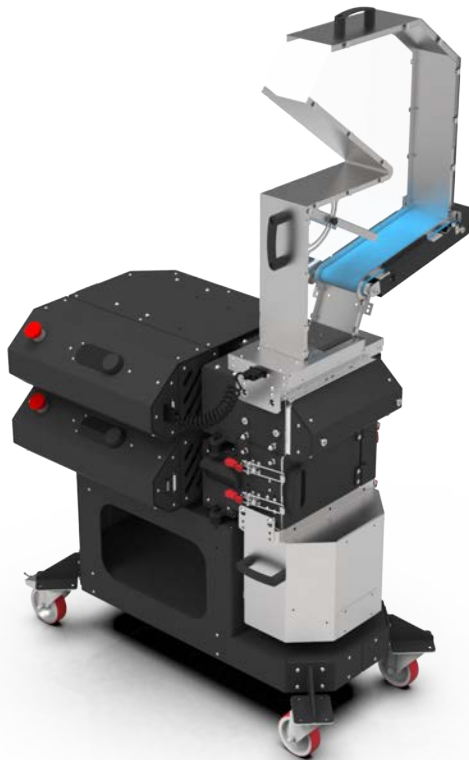
## INTELLIGENT SETTINGS

As the user, you're able to tailor the GP20's settings specifically to your needs. Several sensors work together to automate many previously manual operations, including:

- Autonomous troubleshooting
  - Automatic reverse mode
- Smart Motor Load
- Smart Material Input
  - Controls feeding belt dosing
- Temperature control – prevents material melting

## CUSTOMIZABLE COMPONENTS

Next to the modular design and automated settings, individual components can be modified to best suit your needs. With the GP20, there are no limitations/limits. Whether you choose to modify your shredder blades, or customize your filter screen size, you'll always get the best outcome from any polymer.



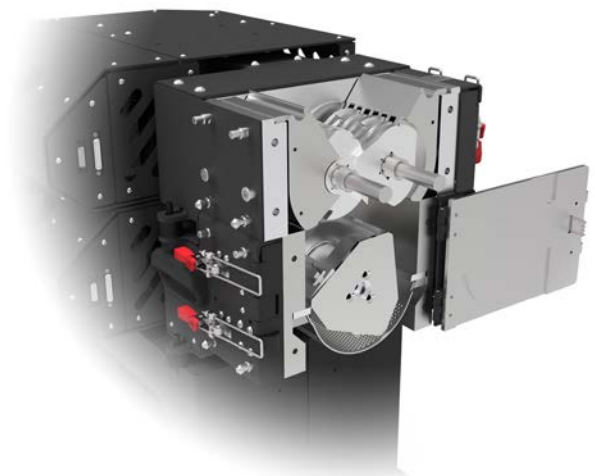
## ENHANCED SAFETY

Following industry standards and safety protocols, the hopper design prevents any direct access to harmful components. Our CE certified GP20 will give you the best experience while keeping you safe.

## EASY TO CLEAN

Thoroughness is key in the design to make sure you can remove every single particle. The components that collect these tiny particles are easily accessible and removable to clean out any debris and prevent any contamination to your regrinds. Cut down on time spent cleaning and use it on shredding.

[Interact with the GP20 Shredder Hybrid](#)

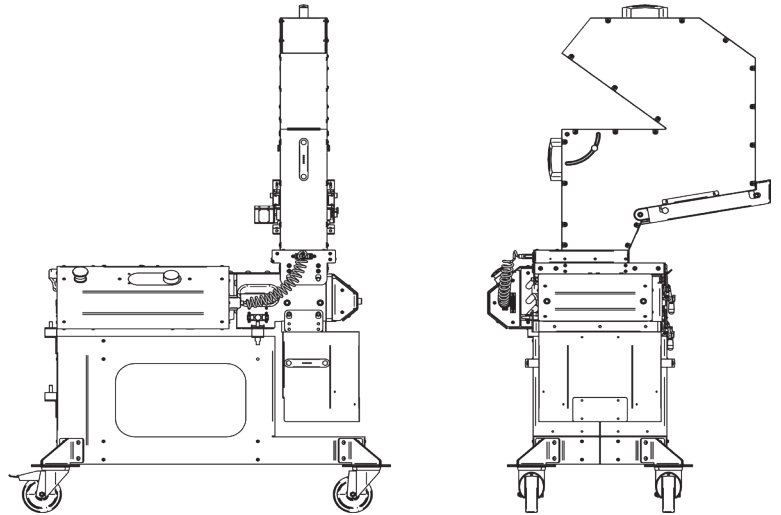


# GP20 SHREDDER

## HIGH PERFORMANCE - MAX CAPACITY

The GP20 Shredder is a high-performance shredder suited for a wide range of polymer applications. Choose between 2, 3, or 7 teeth blades for the total of 14 blades to get the best outcome for your application needs!

The shredder will automatically reverse were to stuck. In addition, with its max torque reverse, it can recut the parts and continue powering through. Time saved here is time well spent in other aspects of your project! Whether you want to reduce the size of polymer materials you have at hand or work with injection molding, the GP20 Shredder is the perfect solution.



## Product Specifications

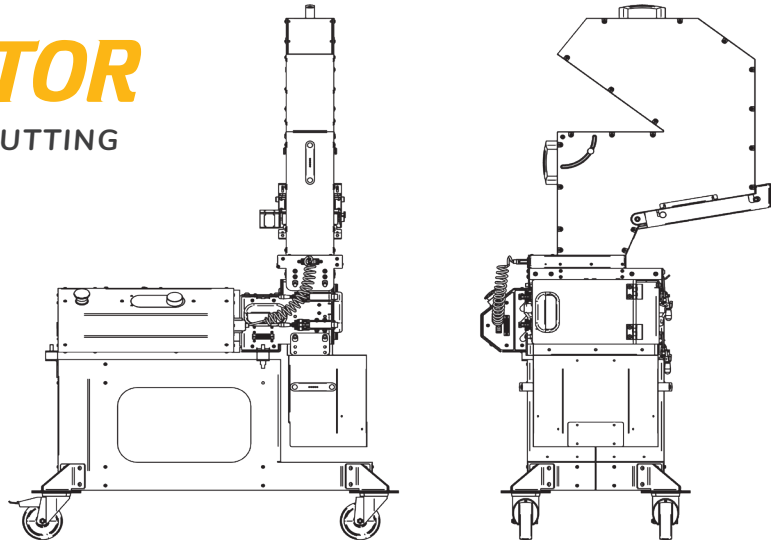
Internal	Total shredding blades	14 blades (Combination of 2, 3 and 7 teeth blades are possible)
Intelligent Features	Smart control	Yes
	Material specific settings	Yes
Energy	Voltage	120 or 240 V
	Consumption	AC 110V-120V 50/60Hz - 1500Watt AC 220-240V 50/60Hz - 1200Watt
Capacity	Small PET-bottle	10 pcs (217 grams); 1:05 min 554 bottles per hour; 12 kg/h
	Medium PET-bottle	10 pcs (277 grams); 1:15 min 480 bottles per hour; 13.3 kg/h
	PP bottle caps	1 kg; 5:00 min 4300 bottlecaps per hour, 12 kg/h
Size & Weight	Dimensions	95 x 75 x 132 cm
	Dimensions of hopper opening	120 x 114mm
	Weight	85 kg
Cleaning Rating	On a scale 1-10 (Compared to the SHR3D IT)	9/10

# GP20 GRANULATOR

## SEAMLESS AUTOMATION - PRECISE CUTTING

For high-quality regrinds, look no further than the GP20 Granulator. The granulator knives' consistent and clean cutting action ensures small uniform particle sizes that will exceed your requirements.

After choosing the granulator's rotation speed, pour as much material as possible, and sit back as the granulator starts automizing. This automation enables the granulator to regulate itself, so jams do not occur.



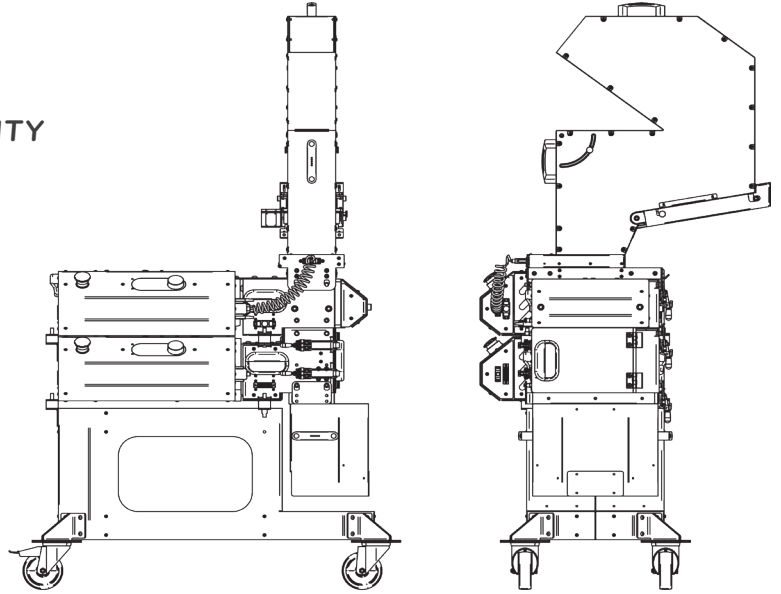
## Product Specifications

Internal	Default filter screen	3.5 mm
Intelligent Features	Smart control	Yes
	Material specific settings	Yes
Energy	Voltage	120 or 240 V
	Consumption	AC 110V-120V 50/60Hz - 1500Watt AC 220-240V 50/60Hz - 1200Watt
Capacity	Pre-shredded PET-bottle	180 grams; 2:40 mins 4 kg/h
	Pre-shredded PP	180 grams; 2:30 min 6 kg/h
Size & Weight	Dimensions (without stand)	95 x 75 x 100 cm
	Dimensions of hopper opening	114 x 50mm
	Weight	50 kg
Cleaning Rating	On a scale 1-10 (Compared to the SHR3D IT)	9/10

# GP20 HYBRID

FREEDOM - FLEXIBILITY - FUNCTIONALITY

The functionality of the GP20 Hybrid gives you the freedom and flexibility to fit it into any project within any industry. With an automated system, sit back as the shredder and granulator's hardware and software work together to get your material to your desired size. With troubleshooting implemented, you won't have to worry about anything after loading the GP20 with your materials.



## Product Specifications

Internal	Default filter screen	3.5 mm
	Total shredding blades	14 blades (Combination of 2, 3 and 7 teeth blades are possible)
Intelligent Features	Smart control	Yes
	Material specific settings	Yes
Energy	Voltage	120 or 240 V
	Consumption	AC 110V-120V 50/60Hz - 1500Watt AC 220-240V 50/60Hz -1200Watt
Size & Weight	Dimensions	95 x 75 x 145 cm
	Dimensions of top hopper opening	120x114 mm
	Weight	125 kg
Cleaning Rating	On a scale 1-10 (Compared to the SHR3D IT)	9/10

***3devo***

**GENERAL SALES INQUIRIES**

[Sales@3devo.com](mailto:Sales@3devo.com)

**MORE INFO**

[www.3devo.com](http://www.3devo.com)

---